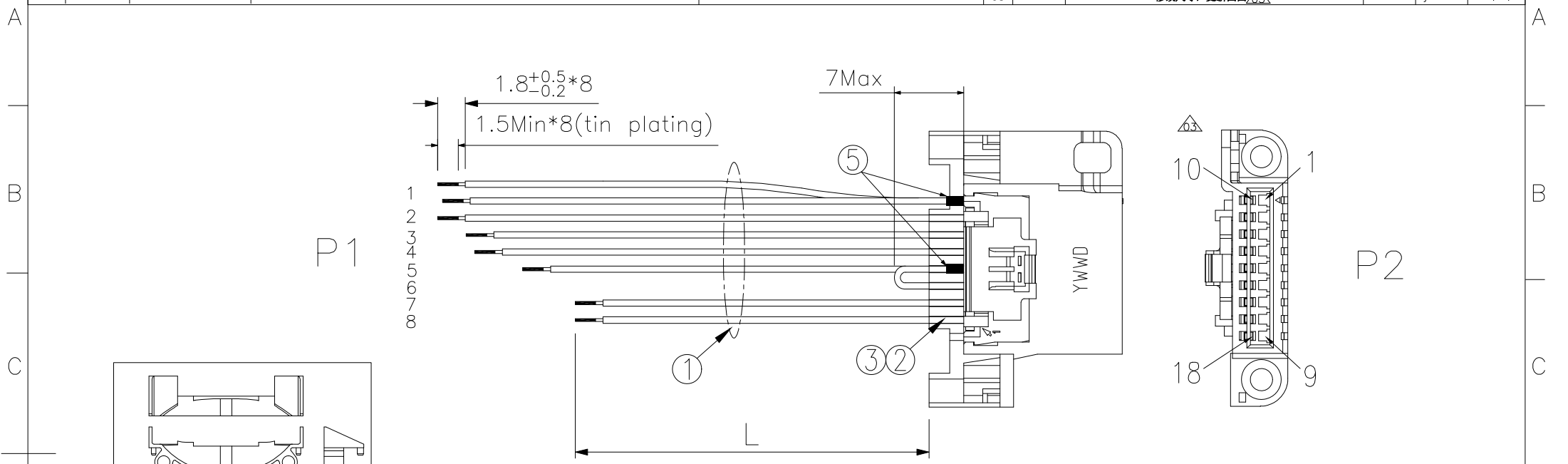


THIS DRAWING AND THE DATA DISCLOSED HEREIN OR HEREWITH IS NOT TO BE REPRODUCED USED OR DISCLOSED IN WHOLE OR IN PART TO ANYONE WITHOUT THE PERMISSION OF JESS-LINK PRODUCTS CO.,LTD.(JPC)

CUSTOMER DRAWING
DRWC-XXXXXX

REV.	ECN NO.	DESCRIPTION	MDF'D	APP'D	DATE
01		INITIAL DESIGN	chenhao	jianhua	2022/08/26
02		新增客户正式料号	chenhao	jianhua	2022/08/30
03		修改尺寸, 更新图面	chenhao	jianhua	2022/09/17



P1	P2	Wire Color	length	REMARK	F	G	REMARK
1	1	Blue	56.5 \pm_{-0}^3	PWM,INLET	1.8 $\pm_{-0.2}^{0.5}$	1.5MIN	RoHS 2.0
		Green	56.0 \pm_{-0}^3	PWM,OUTLET			
2	2	Black	56.5 \pm_{-0}^3	-,INLET			
3	3	Yellow	54.5 \pm_{-0}^3	FG,INLET			
4	4	White	54.0 \pm_{-0}^3	FG,OUTLET			
5	5	Gray	50.0 \pm_{-0}^3	-,OUTLET			
		Black		-,JUMPER TO PIN6			
6	6	Black		-,JUMPER TO PIN5			
7	7	Red	48.5 \pm_{-0}^3 Δ	+,INLET			
8	8	Orange	46.5 \pm_{-0}^3	+,OUTLET			

Notes:

- a. Electrical test:
 1. 100% Open & Short & Mismatch test
 2. Conduction Resistance: 2Ω (Max.);
 3. Insulation Resistance: 5MΩ (min.);
 4. Withstand Voltage: DC 300V/10ms
- b. Materials and finish must comply with RoHS directive 2011/65/EU.
- c. 随货附上Cover 1PCS

ITEM	DESCRIPTION	Q'TY
6		
5	Black Heat Shrink Tube	A/R
4	EDGE CARD CONNECTOR FOR SMART FAN MODULE Amphenol P/N:GFMF02C01R0000HR	1
3	CRIMP TERMINAL FAN CONNECTOR Amphenol P/N:GFMF01T01R0000HR	8
2	EDGE CARD CONNECTOR FOR SMART FAN MODULE 18P Amphenol P/N:GFMF04H01R0000HR	1
1	UL10368 28AWG	1

RoHS COMPLIANT

Unit : mm

PROJECTION

GENERAL TOLERANCES: (UNLESS SPECIFIED)

0 = ±.30
0.0 = ±.20
0.00 = ±.10
0.000 = ±.05
0° = ± 1°
0.0° = ±.50°

D.R. 2022/09/17
chenhao
CH.K 2022/09/17
Jianhua
APV.D 2022/09/17
shsaoxu

JPC connectivity

TITLE: A411300R09
18P Housing To Tin

SCALE: N/A
SIZE: A4

PART NO.: PCB012800561-7
(A411300R09-1-E)

PD./FILE NO. &PRODUCT_NO: /
REV. 03
SH.T NO. 10F1